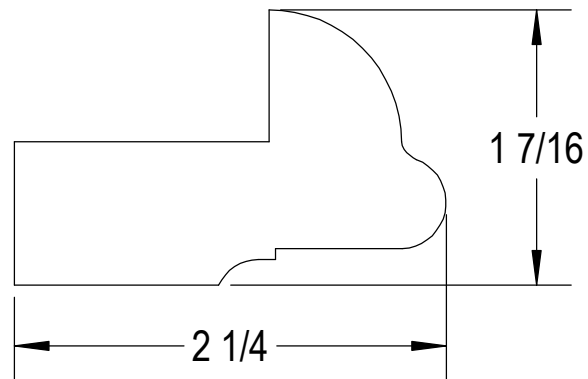




REX
Lumber Company

(800) 343-0567



RX01027
 $1 \frac{7}{16} \times 2 \frac{1}{4}$ "