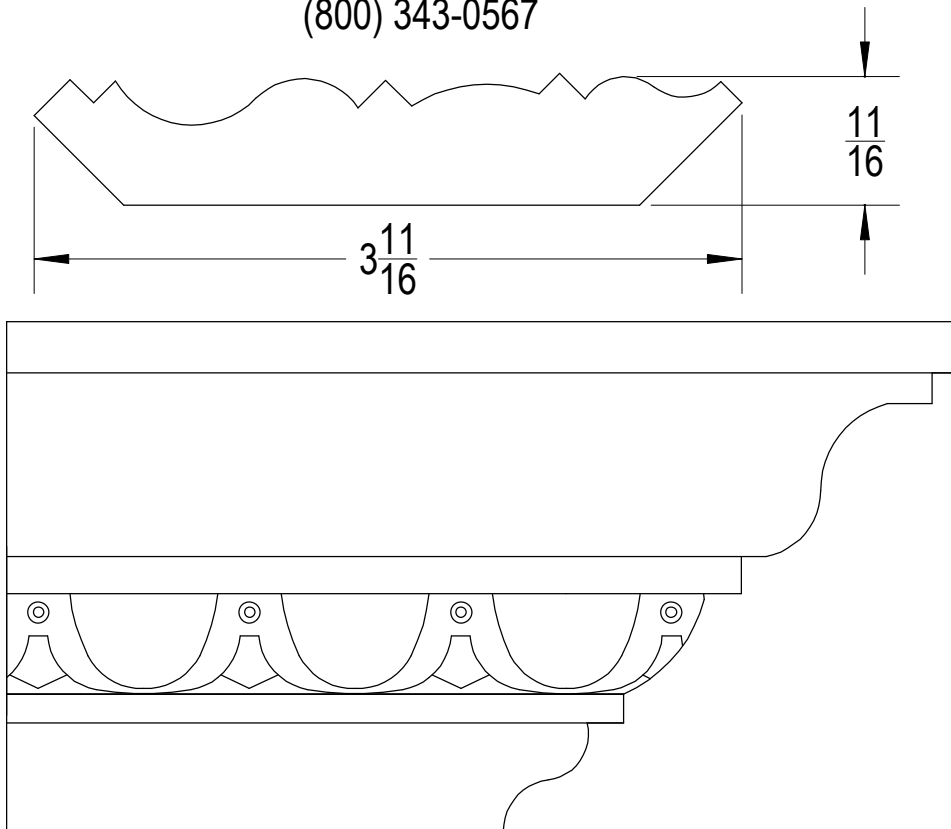




**REX**  
Lumber Company

(800) 343-0567



RX00817

$\frac{11}{16}$  x  $3\frac{11}{16}$ "